

ET SERIES Bucket elevators

METALMONT



METALMONT

HANDLING INNOVATION

ET SERIES BUCKET ELEVATORS

Reliable performance, construction quality,
easy assembly: the perfect solution

Ideal for vertical handling of cereals, oilseeds and legumes, the Metalmont ET series bucket elevators stand out for their highly reliable operation and performance.

Designed and built to ensure the best performance even in the most difficult working conditions, minimise maintenance costs and total operating costs.

RANGE from 20 to 200 t/h - higher flow rates available on request



1 BUCKETS

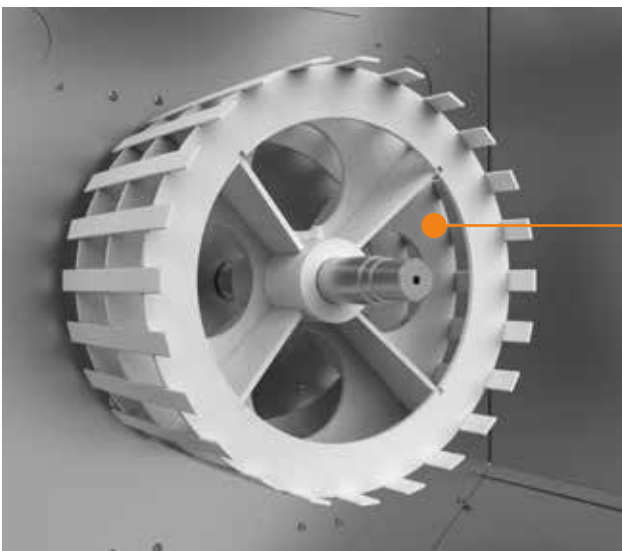
- High-density polyethylene (HDP)
- High resistance to abrasion
- Excellent resistance to impacts
- Suitable for food

2 CONVEYOR BELT

- Multilayer with rubber cover and reinforcement sheets
- Anti-oil and anti-grease according to international standards
- Antistatic according to international standards
- Self-extinguishing

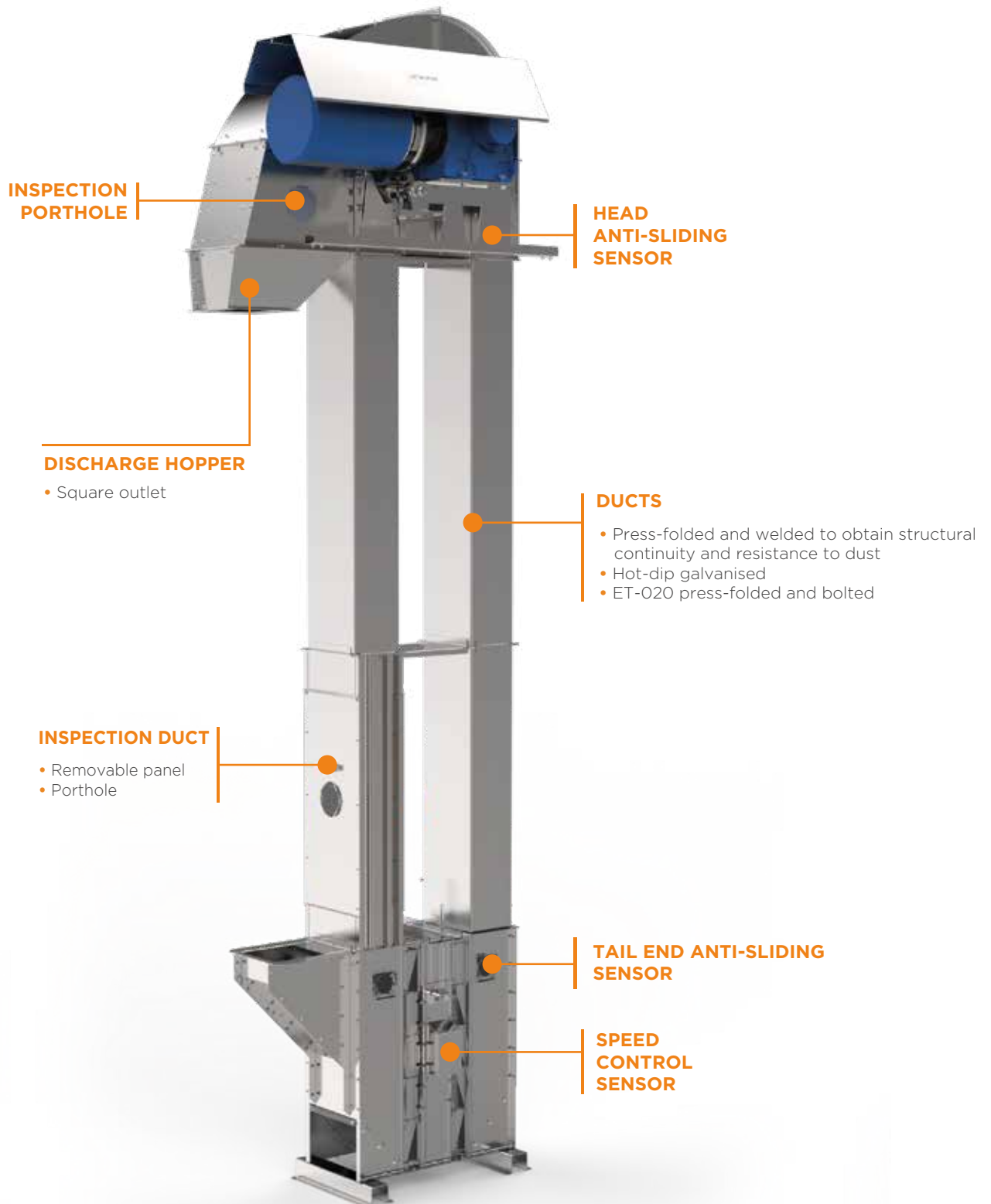
3 HEAD (TOWING WHEEL)

- Orthogonal gearmotor: hollow shaft with direct coupling to the towing shaft; anti-retro device; protective guard
- Albero in acciaio ad alta resistenza
- Rubber-coated pulley and rounded for conveyor belt centring
- Supports with ball bearings shielded, lubricated with high-performing grease
- Upper cover openable for inspection and maintenance
- High-density polyethylene coating of the material discharge area
- Discharge hopper with square outlet
- Inspection porthole
- Conveyor belt anti-sliding sensor



TAIL END (IDLER WHEEL)

- High resistance steel shaft
- Supports with ball bearings lubricated and greased with high-performing grease
- Rounded squirrel-cage pulley for conveyor belt centring
- Double screw conveyor belt tensioning slide
- Speed control sensor with protective guard
- Conveyor belt anti-sliding sensor
- Square load nozzle



DATA SHEET

MODEL	U.M.	ET-020	ET-040	ET-060	ET-120	ET-150	ET-200
Flow rate*	t/h	20	40	60	120	150	200
Speed	m/s	2,5	2,9	2,9	2,9	2,9	2,9
Bucket width / Conveyor belt width	mm	100 / 120	140 / 160	180 / 220	240 / 270	280 / 310	300 / 330
Type of conveyor belt		Anti-oil and antistatic					
Buckets / m	n.	12	9,0	6,0	6,5	6,0	5,5
Bucket material		High-density polyethylene (HDP)					
Casing thickness	mm	1,5	2,0	2,0	2,0	2,5	2,5
Head wear-resistant element (UHMW PE)	mm	8	8	8	8	8	8

MODEL	U.M.	ET-020	ET-040	ET-060	ET-120	ET-150	ET-200
Head height	mm	700	940	1204	1240	1240	1511
Tail end height	mm	670	911	1031	1281	1281	1524
Casing front width	mm	150	190	268	336	400	445
Casing side width	mm	150	180	228	278	278	345
Standard casing height	mm	500 / 1.000 / 1.500 / 2.000					
Inlet/outlet panel	mm	150	210	210	300	300	350

*Flow rate referred to p.s. wheat 0.78 t/m³; RH 15%; impurities: 2%

ACCESSORIES AND DEVICES

MODEL	ET-020	ET-040	ET-060	ET-120	ET-150	ET-200
Support temperature sensor	○	○	○	○	○	○
Anti-clogging sensor on the head	○	○	○	○	○	○
Hot-dip galvanising of the casings according to UNI EN ISO 1461	○ ¹	●	●	●	●	●
Hot-dip galvanising of head and tail end according to UNI EN ISO 1461	○ ¹	○ ¹	○ ¹	○ ²	●	●
Painted or stainless steel execution	○	○	○	○	○	○
Speed control sensor	●	●	●	●	●	●
Conveyor belt anti-return device	●	●	●	●	●	●
Tail end anti-sliding sensor	●	●	●	●	●	●
Head anti-sliding sensor	●	●	●	●	●	●
Dust suction connection between the casings	○	○	○	○	○	○
Porthole for visual inspection on inspection casing	●	●	●	●	●	●
Stainless steel or iron buckets	○	○	○	○	○	○
Food conveyor belt	○	○	○	○	○	○
Towing drum gumming	●	●	●	●	●	●
Additional supply nozzle	○	○	○	○	○	○
Two or three inlet nozzle	○	○	○	○	○	○
Service walkways, stand-by walkways, ladders	○	○	○	○	○	○
Suitable for use in ATEX 22, according to the customer classification	○	○	○	○	○	○

● - Standard

○ - Optional

○¹ - Standard surface finish: pre-galvanised sheet steel Z275

○² - Head and tail end standard surface finish: hot-dip galvanised head according to UNI EN ISO 1461.

Tail end in pre-galvanised sheet steel Z275.

In order to improve the product and for regulatory compliance, the technical specifications, appearance and equipment described in this document may be subject to change without prior notice.



METALMONT
HANDLING INNOVATION

Metalmont s.r.l.
Via Guglielmo Marconi, 92
31020 Revine Lago (TV) Italy
☎ +39 0438 562028
✉ info@metalmont.it

METALMONT.IT