

CS SERIES Sweeping screw



METALMONT

HANDLING INNOVATION

CS SERIES SWEEPING SCREW

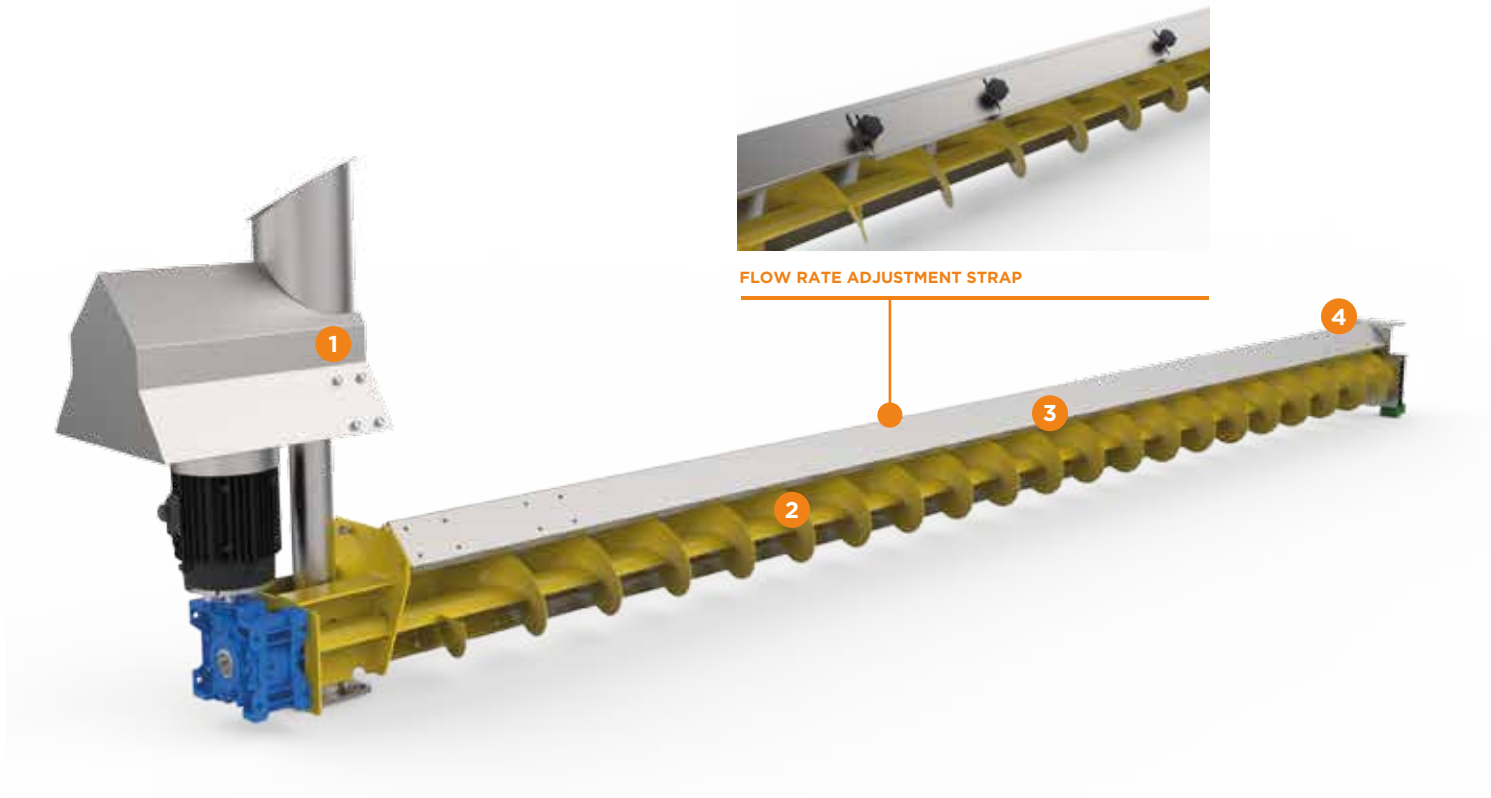
Reliable performance, construction quality, easy assembly: the perfect solution

Ideal for handling oilseed cereals and legumes and used to completely empty the storage silos, the Metalmont sweeping screws stand out for their construction quality.

Metalmont designs and builds its sweeping screws to minimise maintenance costs and total operating costs.

RANGE from 30 to 80 t/h - higher flow rates available on request

Also available in the ATEX 21 versions, according to the area classification by the customer.



1 HEAD

- Protective guard for the motor
- Rotating contact for motor feeding
- Sturdy structure
- Pin to guide the planetary rotation of the screw body

2 COIL

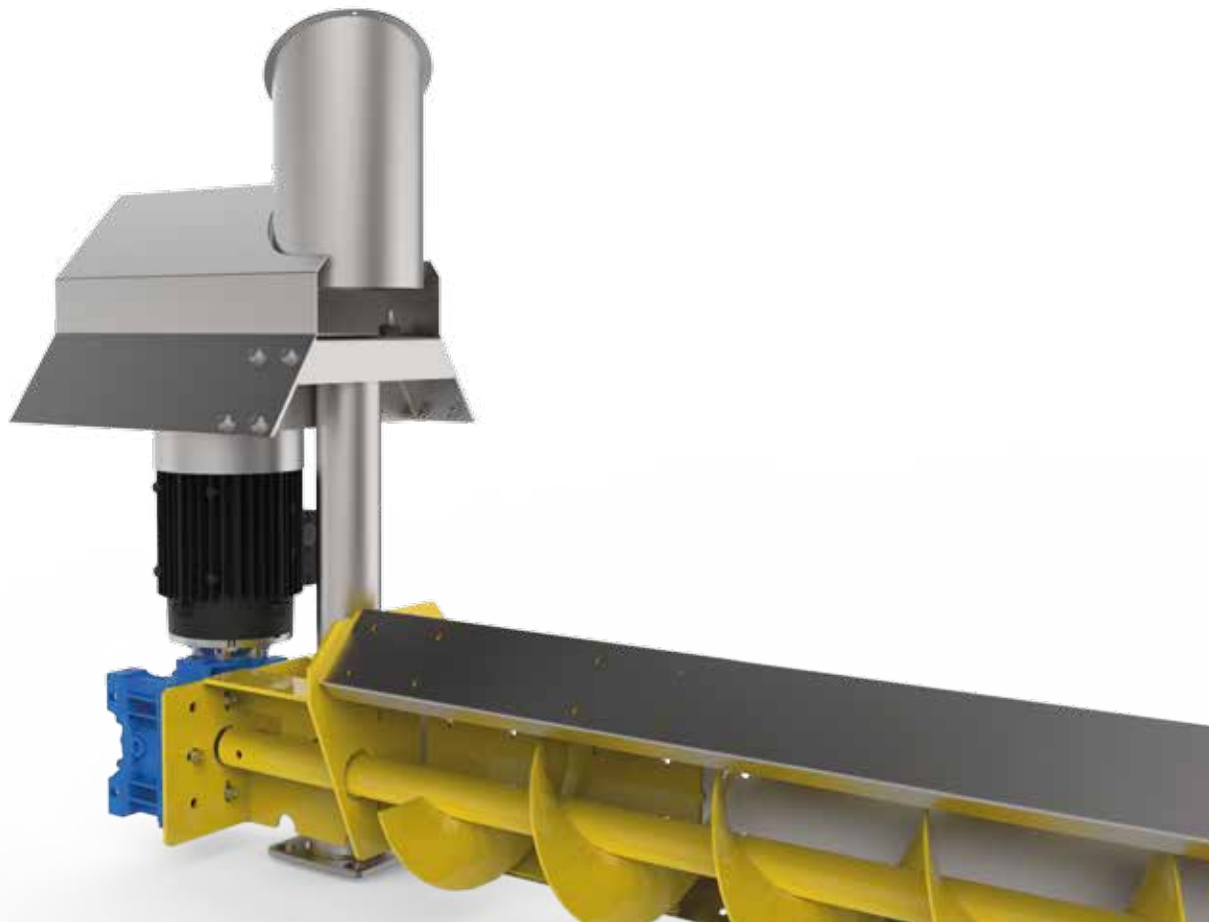
- Variable thickness propeller, spot welded
- High-resistance and low friction plastic intermediate supports

3 FRAME

- Very sturdy structure
- Shaped around the coil in order to reduce the material residues inside.

4 TAIL END

- Support with ball bearing lubricated and greased with high-performing grease
- Equipped with mechanism for the step-by-step planetary feeding; optional with wheel
- Very sturdy structure



DATA SHEET

MODEL	U.M.	CS-200	CS-250	CS-300
Flow rate*	t/h	30	50	80
Coil rotation speed	rpm	140	140	140
Coil diameter	mm	200	250	300
Coil pitch	mm	200	250	300
Towing element length mm (Head)	mm	variable lengths		
Intermediate element length ⁱ	mm	variable lengths		
Case thickness	mm	4 ÷ 6	4 ÷ 6	4 ÷ 8
Cover thickness	mm	2 ÷ 3	2 ÷ 3	2 ÷ 3

*Flow rate referred to p.s. wheat 0.78 t/m³; RH 15%; impurities: 2%

ACCESSORIES AND DEVICES

MODEL	CS-200	CS-250	CS-300
Tail end with wheel	○	○	○
Suitable for use in ATEX 21, according to the customer classification	○	○	○

● - Standard

○ - Optional

In order to improve the product and for regulatory compliance, the technical specifications, appearance and equipment described in this document may be subject to change without prior notice.



METALMONT

HANDLING INNOVATION

Metalmont s.r.l.
Via Guglielmo Marconi, 92
31020 Revine Lago (TV) Italy
☎ +39 0438 562028
✉ info@metalmont.it

METALMONT.IT